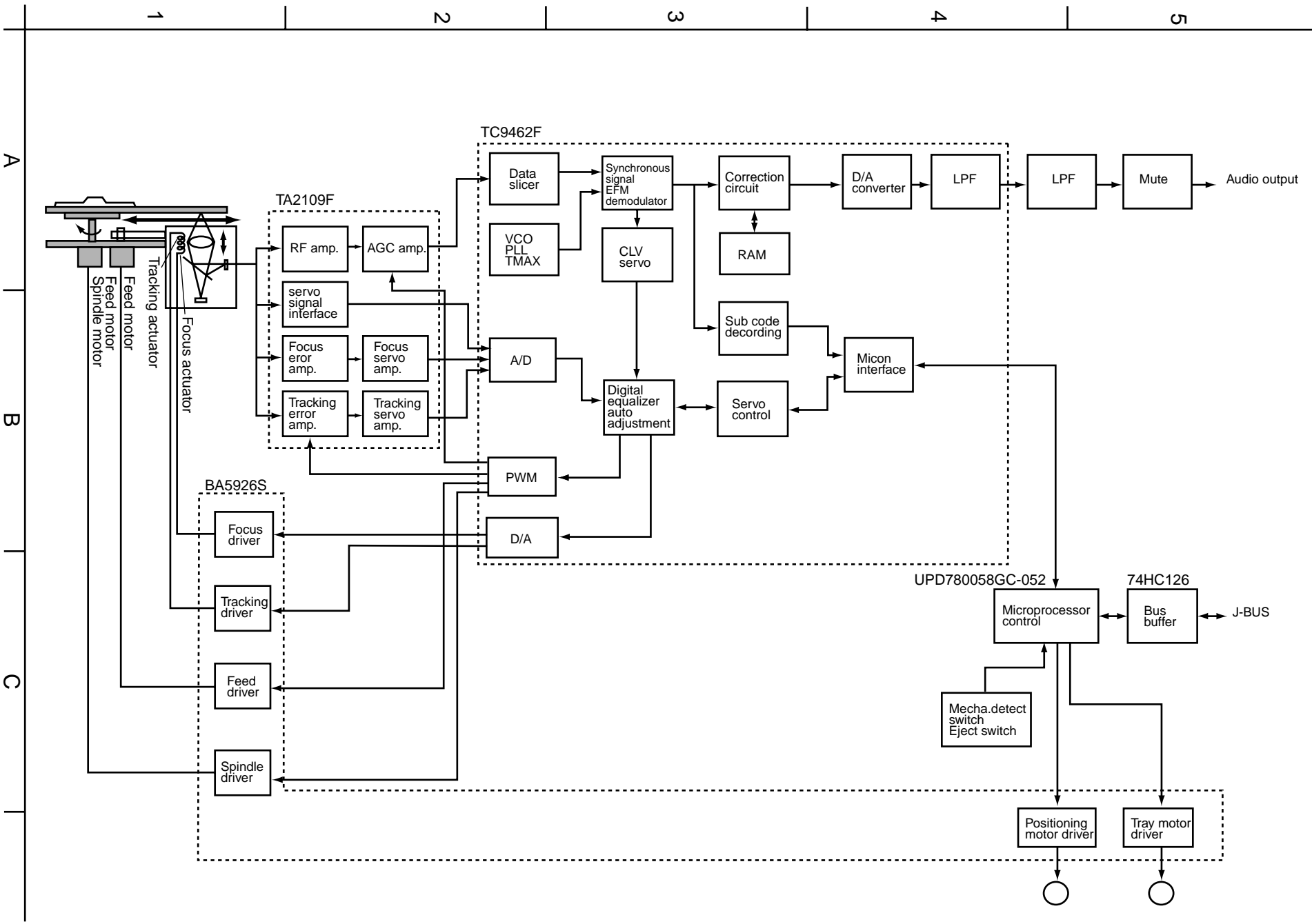


Brock Diagram

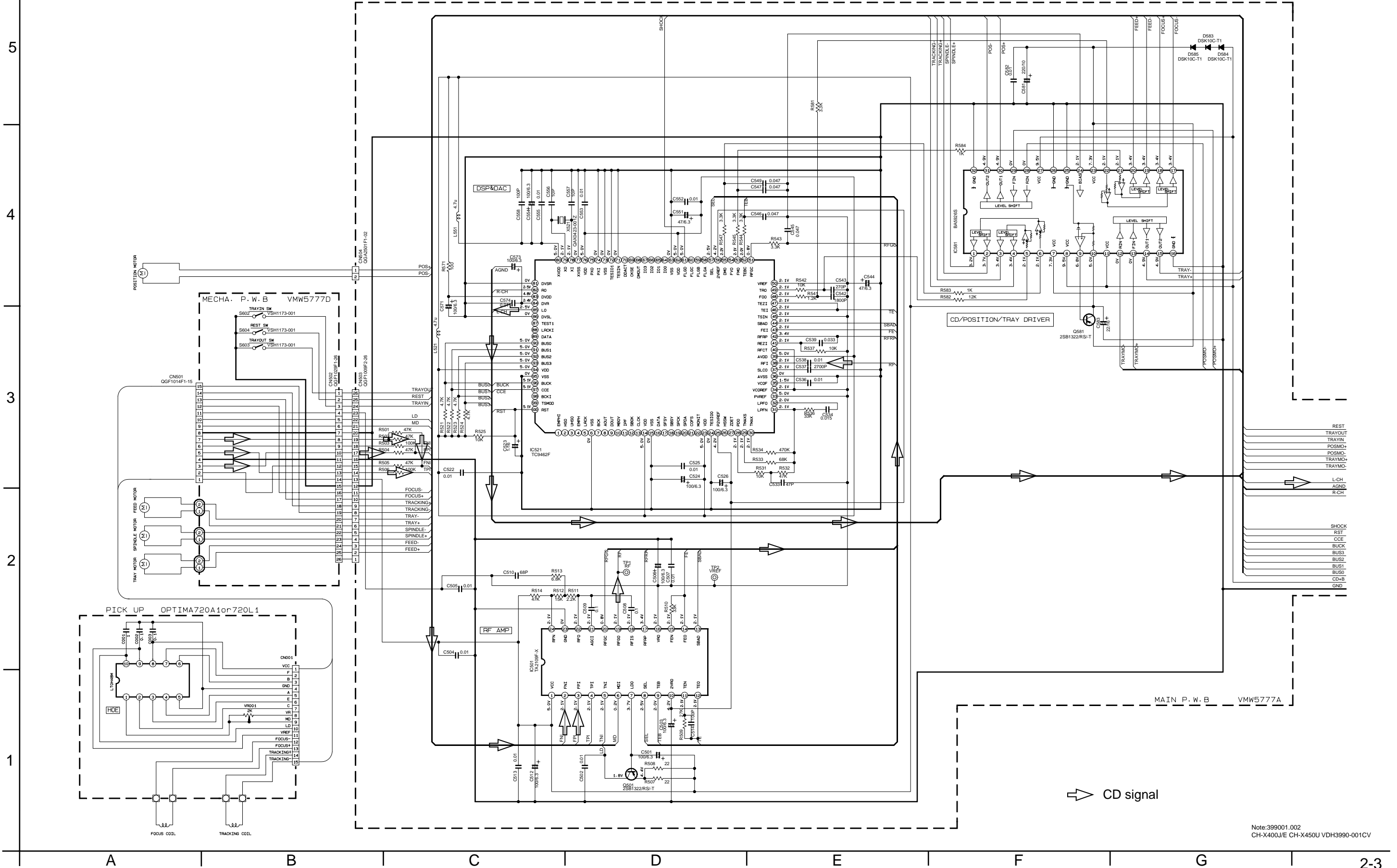


CH-X400/CH-X450

< M E M O >

Standard schematic diagram

- NOTES**
- VOLTAGES ARE DC-MEASURED WITH A DIGITAL VOLT METER WITHOUT INPUT SIGNAL CONDITION---CD MODE.
 - UNLESS OTHERWISE SPECIFIED:
 ALL RESISTORS ARE 1/10W OR 1/4W ±5% METAL GLAZE RESISTOR.
 ALL CAPACITORS ARE 50V OR 25V CERAMIC CAPACITOR.
 ALL RESISTANCE VALUES ARE IN OHM.
 ALL CAPACITANCE VALUES ARE IN uF [p=pF]
 ALL E. CAPACITORS ARE SHOWN IN THE FORM OF CAPACITANCE(uF)/RATED VOLTAGE(V)



Note:399001.002
 CH-X400/E CH-X450U VDH3990-001CV

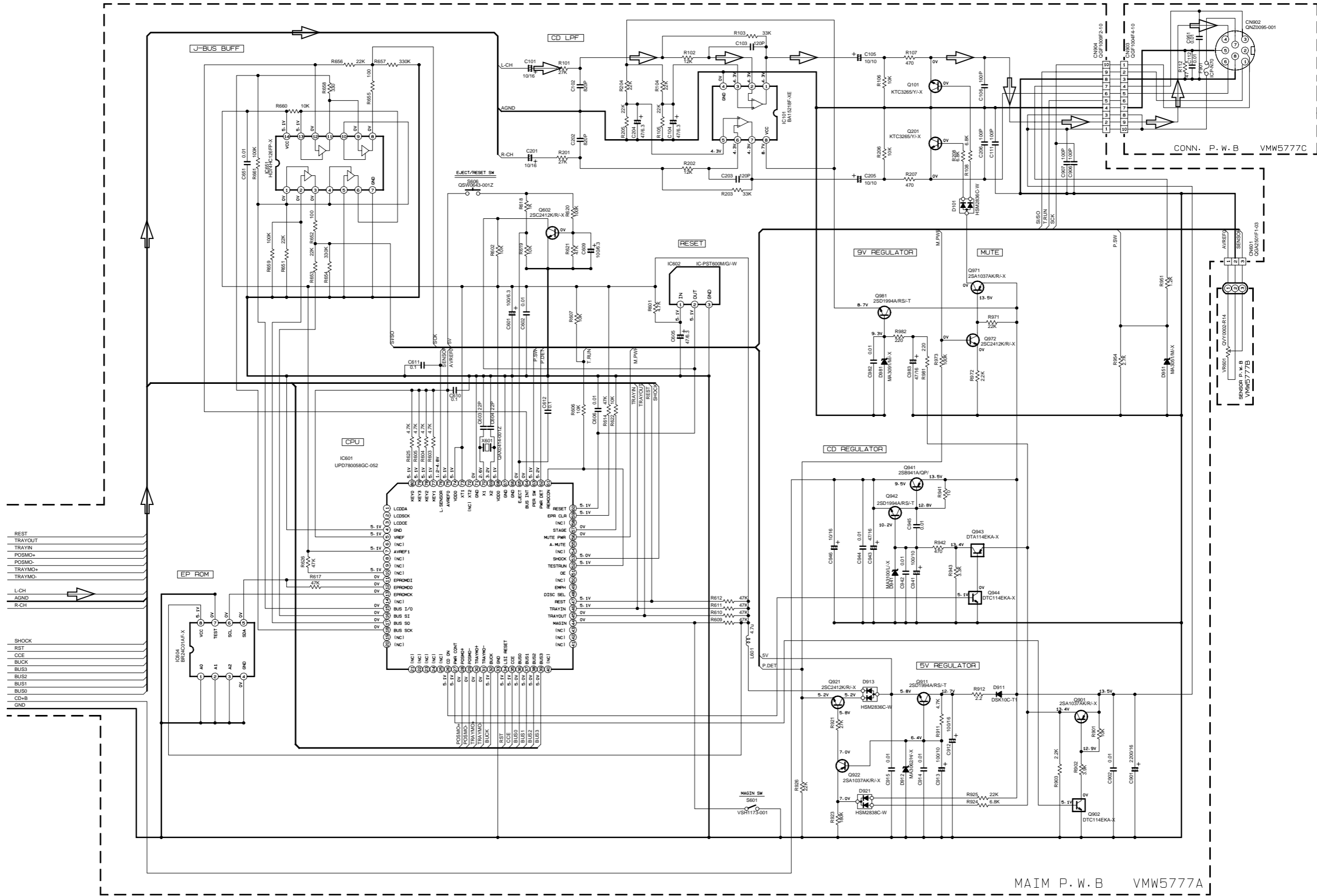
5

4

3

2

1



MAIM P. W. B VMW5777A

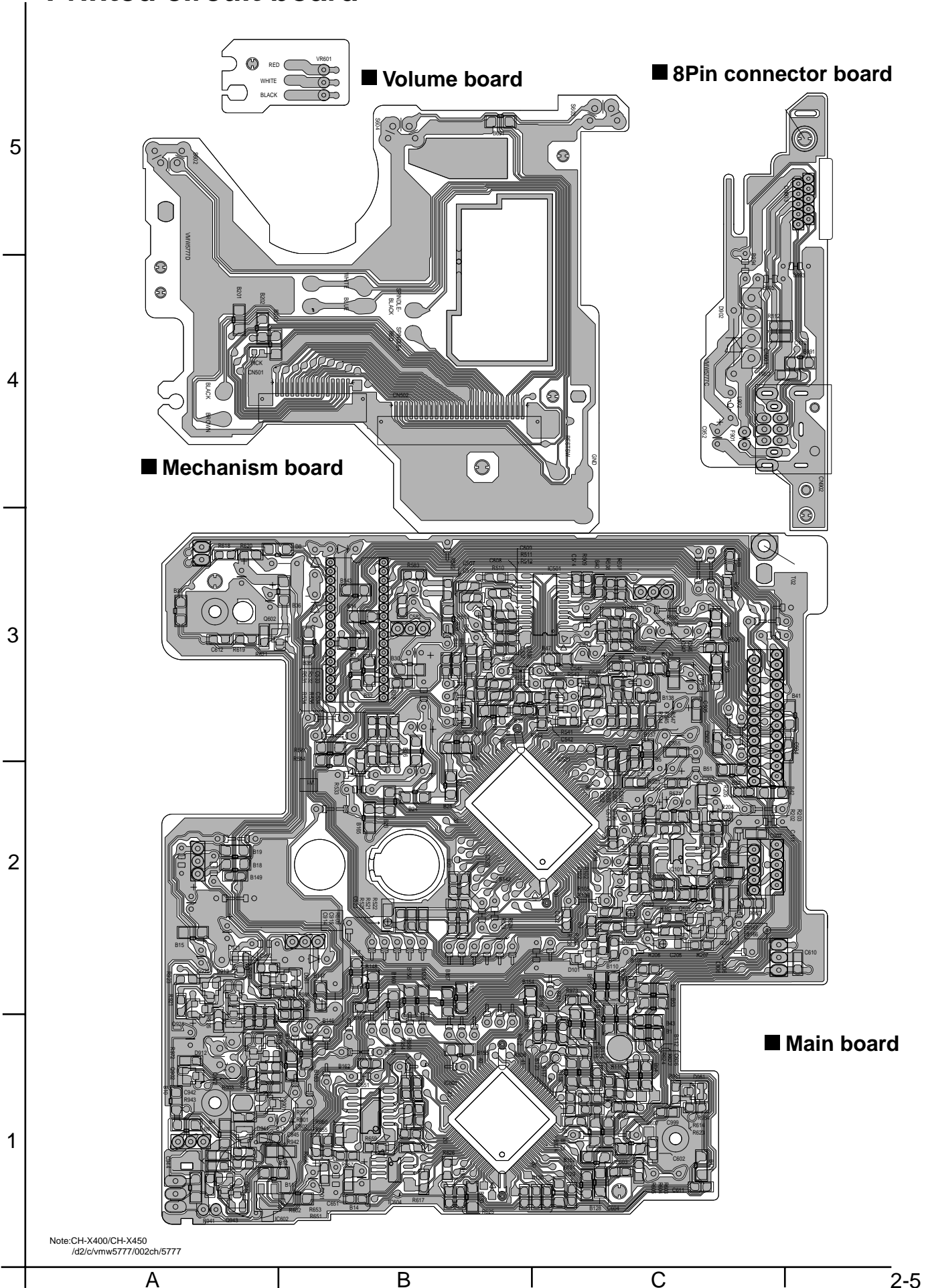
DTA114EKA		
DTC114EKA		

- NOTES
- VOLTAGES ARE DC-MEASURED WITH A DIGITAL VOLT METER WITHOUT INPUT SIGNAL CONDITION—CD MODE.
 - UNLESS OTHERWISE SPECIFIED, ALL RESISTORS ARE 1/10W OR 1/4W ±5% METAL GLAZE RESISTOR. ALL CAPACITORS ARE 50V OR 25V CERAMIC CAPACITOR. ALL RESISTANCE VALUES ARE IN OHM. ALL CAPACITANCE VALUES ARE IN uF (P=PF) ALL E. CAPACITORS ARE SHOWN IN THE FORM OF CAPACITANCE(uF)/RATED VOLTAGE(V)

➔ CD signal

Note:C39901.001 CH-400J/E CH-X450U VDH3990-001AV

Printed circuit board



Note:CH-X400/CH-X450
/d2/c/vmw5777/002ch/5777